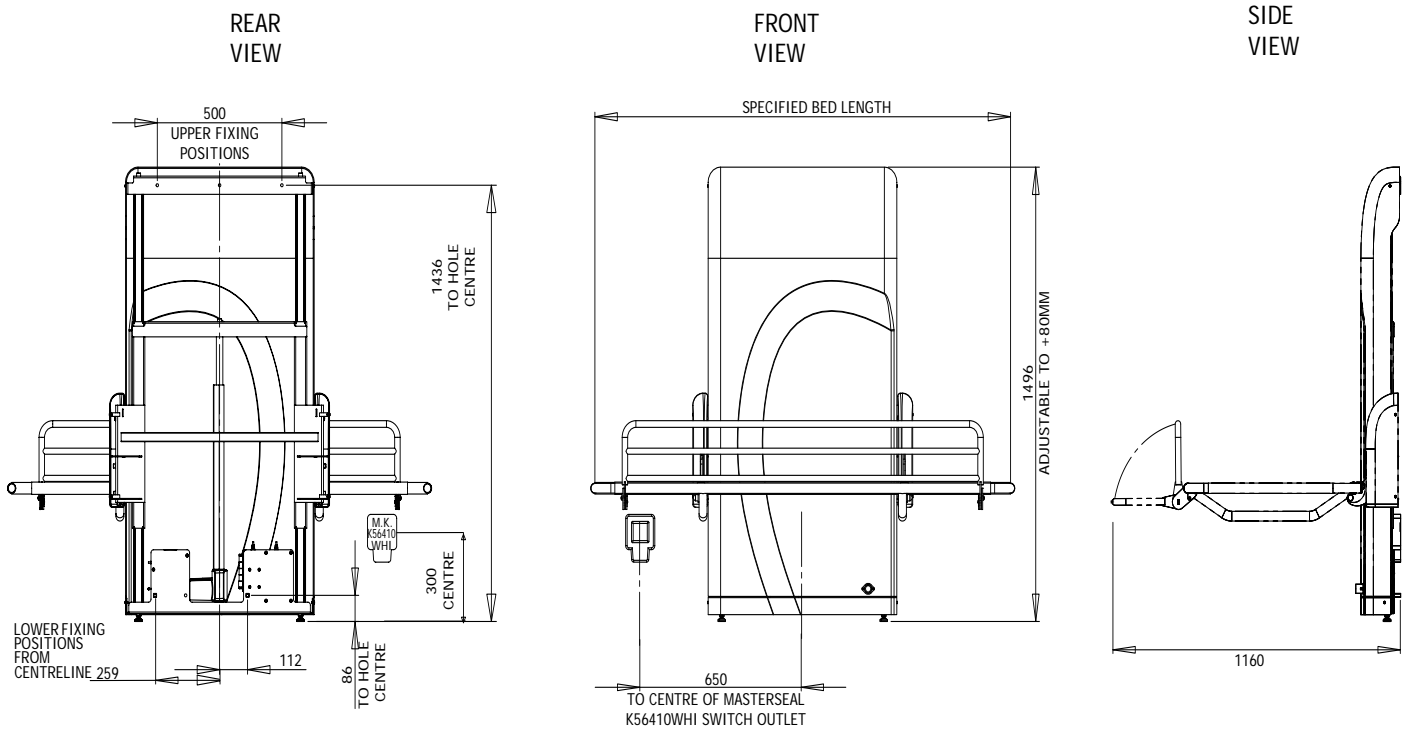


CTe2 Changing Table



Electrics

A 230 volt 1.25kW Waterproof switched flex outlet must be provided in the specified position shown, supplied from a protected fused spur. (Can be either side of bed.)

Fixing

The changing table fixes to the wall and rests on the floor.

The wall must be load bearing and strong enough to bear a load of 100 kgs on each of the wall fixings.

The wall must be flat and free from obstructions of floor level to 1550mm above the floor.

There should be a minimum clearance of 40mm at each end of the bed.

If the changing table is to be mounted on a stud wall it will need special reinforcement, either

1. 4"x4" Noggins fixed into the wall with screws (NOT Nailed).
2. OR:-Faced with Marine or exterior grade plywood 25mm thick (MINIMUM), secured every 200mm, covering the entire fixing area

1550mm high and as long as the specified bed length, equal about the centreline. It must be in contact with and supported by the floor.

This unit CANNOT be fitted to (Gypframe) metal frame or similar type stud wall unless it has been fully reinforced with timber struts that are secured top and bottom and then reinforced with noggins or 25mm plywood screwed in place (not nailed)

Astor Bannerman Group installations only

Important

We confirm that preparations are as described in this Pre-installation document and:

There are no obstructions in the area in which the equipment is to be installed.

Floors are flat and level and a 230 Volt mains power supply (not temporary supply) will be connected and operational BEFORE the engineer visits.

By Signing this form you are confirming to the Astor Bannerman group:

That the site has been prepared in accordance with the specifications detailed in this document and that the site is ready for us to proceed with the installation.

You also confirm that you understand and agree that if we are unable to carry out the installation after we have arrived on site any waiting time will be charged at a rate of £80 per hour, and an additional installation charge will apply for any revisit and you agree to pay that charge.

| | |
|---------------|--------------|
| Signature: | Name:(Print) |
| Organisation: | Position: |
| Site Address: | Job No. |