



Integralift 230

**SWL 230kg**

**User manual, English** revision 2.6

## Table of Contents

1. Safety .....	3
2. Product description .....	4
3. Main components .....	5
4. Dimensions .....	6
5. Before first time use .....	7
6. Handling .....	8
7. Lift and movement .....	10
8. Sling Program .....	15
9. Maintenance .....	16
10. Technical Data .....	17
11. Simple Troubleshooting .....	18

### Explanation of symbols

CE	
Warning	
Read User manual	
Product for indoor use	

## 1. Safety



### Max user weight

Max user weight (SWL) for Integralift 230 is **230 kg**



- **IMPORTANT:** Integralift must only be operated by personnel with the proper training to do so. Read this User manual before operating Integralift and please keep the manual at hand for everyone using Integralift. This product must be installed by authorized personnel only. **Do not modify the equipment. Only use parts delivered by Integra. Do not leave the User suspended in the sling.**

### Before first time use make sure that:

- Installation is correctly done, tested and signed by authorized personnel
- The Lifting bar is correctly mounted
- User manual is read and completely understood
- The emergency lowering switch is working

### Before lifting always make sure that:

- The Lifting bar is fastened correctly to the lift strap
- The lift strap is not twisted or worn
- The lifter can run up and down, and power cable is connected to the mains
- There are no visible damages on Integralift or the sling
- The sling is the correct type; adapted to both User and lifting bar
- The sling is mounted correctly around the User
- The sling is fastened correctly to the Lifting bar before the User is lifted from the bed

## 2. Product description



***Integralift is a non intrusive patient lifter from Norway that offers a safe and efficient workplace***

***Non intrusive*** Integralift creates a more attractive room for the User and gives a subtle expression. Integralift appears as an elegant designed furniture which encloses the user's bed and becomes a natural part of the room's interior.

- Cabinets can be special ordered in different colours to fit its environments
- Downlights: Personalize the top cabinet with this option

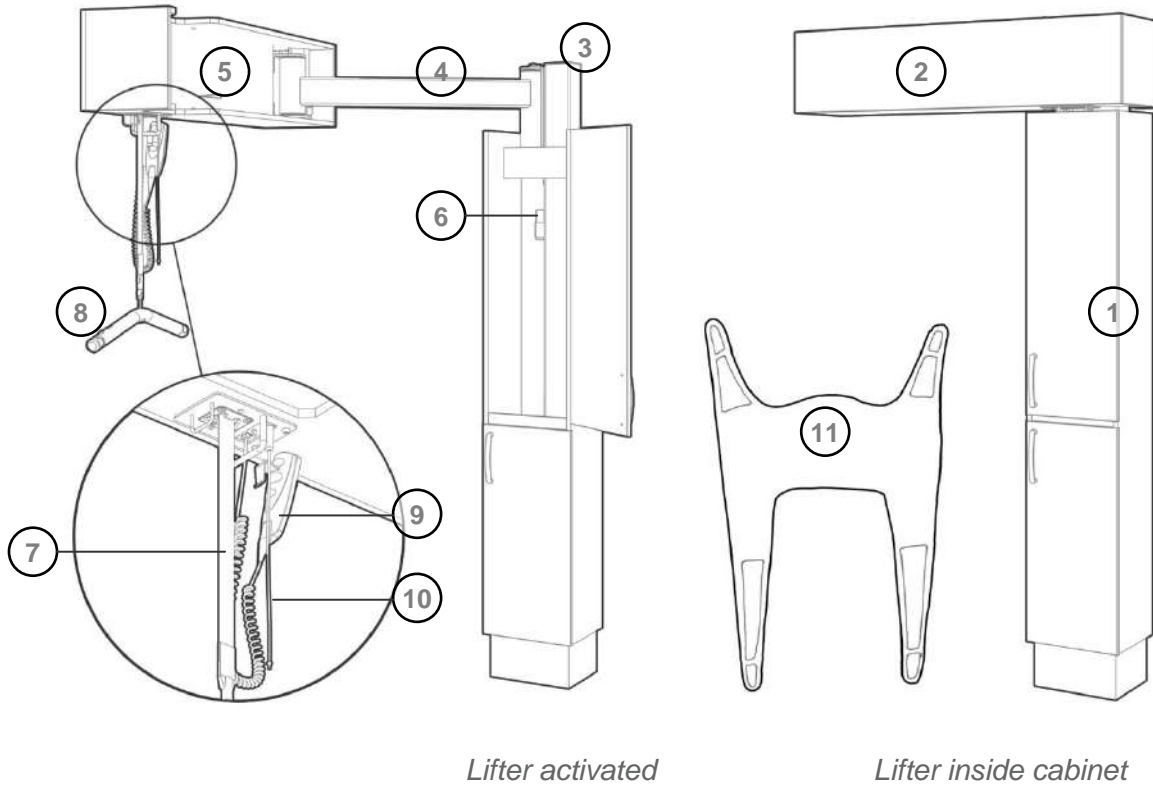
***Safe & efficient*** Integralift is designed to ease the whole transfer process.

- Everything in place- always. The Lifting bar, sling and remote in dedicated places
- No charging routines. Connected to mains and always fully charged
- Flexible dropping points

***Easy installing*** Integralift can be easily fitted in most homes or institutions.

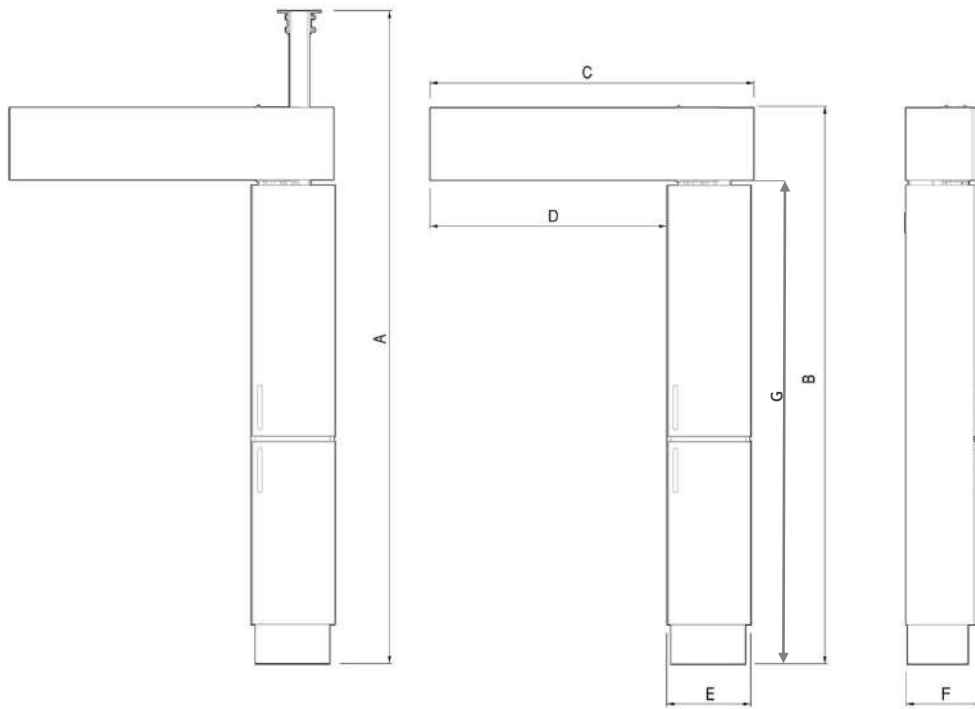
### 3. Main components

Integralift consists of a vertical cabinet and a top cabinet where the lift is integrated. The lifting bar and remote control have dedicated places in the vertical cabinet. The person being lifted is hereby called the User and the one giving assistance is called Assistant.



- |                       |  |                    |
|-----------------------|--|--------------------|
| 1. Vertical cabinet   | 5. Front jib                           | 8. Lifting bar     |
| 2. Top cabinet        | 6. Battery charger: 24V<br>MASCOT 9940 | 9. Remote control  |
| 3. Vertical structure |  | 10. Emergency stop |
| 4. Back jib           | 7. Lift strap                          | 11. Sling          |

## 4. Dimensions



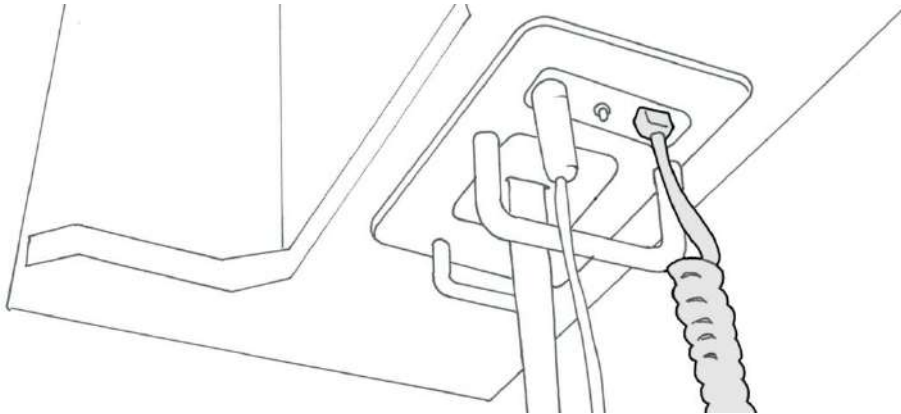
Model	Capacity	A	B	C	D	E	F	G
WM-230	230 kg	220	226	124	89	35	30	197
FC-230	230 kg	230-330						
IW-230	230 kg	230-500						

All measurements (A-G) in centimeters.

## 5. Before first time use

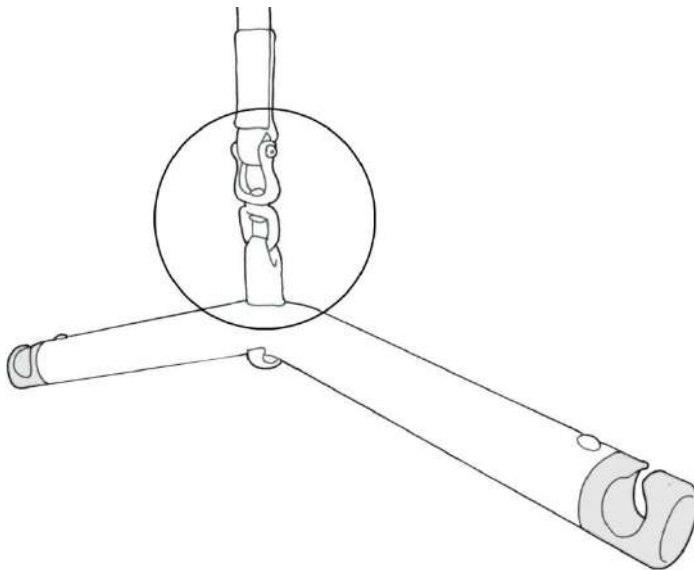
### Remote control

The remote control socket is mounted in the outlet on the underside of the front jib. Push the socket till you hear a click.



### Lifting bar

The Lifting bar is correctly mounted to the swivel in the end of the lift strap.



### Power

The lifter's battery charger is always connected to the batteries and the charger should always be connected to a 100-240V AC electric socket.

### Backup battery

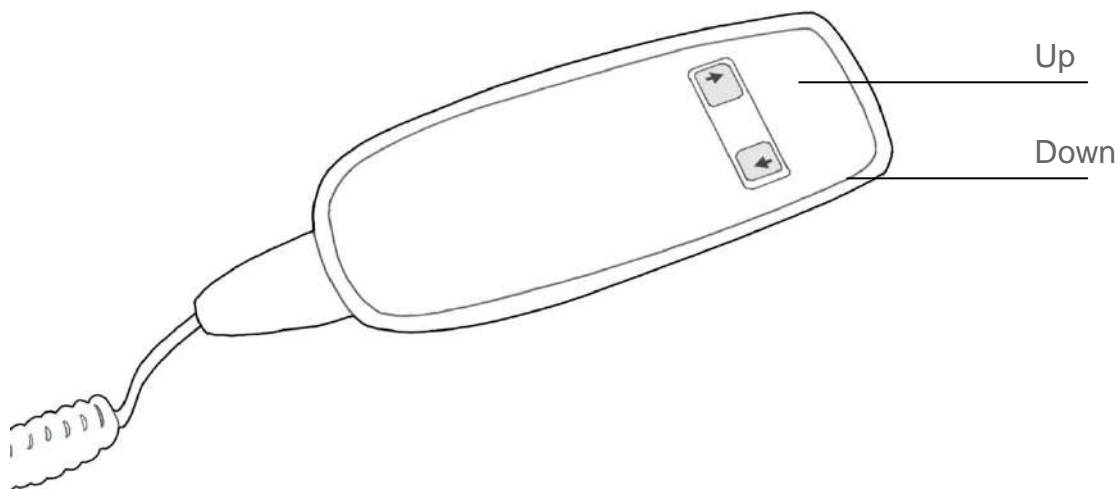
In case of a power cut the lifter has a backup battery that lasts until 40 lifts before recharging.

## 6. Handling

### Remote control

The remote control has two buttons; one for raising and one for lowering the User. The arrows on the buttons indicate the direction. Raising or lowering starts when one of the buttons are pushed gently and stops when the button is released.

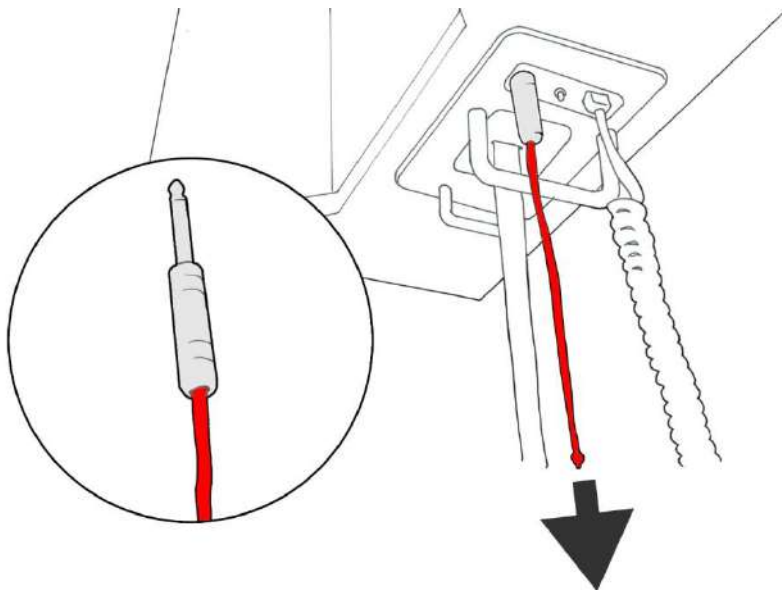
Hint: To be able to lower the Lifting bar without a User the Lifting bar must hang freely.



### Emergency stop

The emergency stop should be used in emergency situations and will stop the lifter immediately. The emergency stop is activated by pulling the red string so that the socket comes off, and you will hear three beeps.

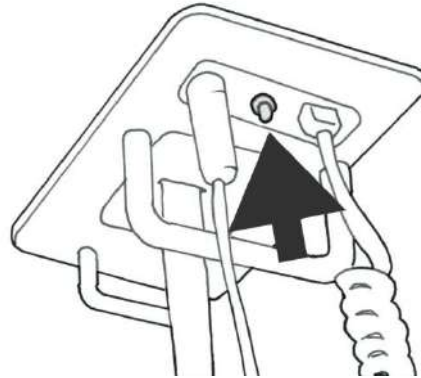
In order to reset the emergency stop push the socket back in. You will then hear two beeps.





## Electrical emergency lowering

If the lifter should stop working, use the electrical emergency lowering to get the User down safely. Press the black emergency button until the User is safe on the bed or chair.

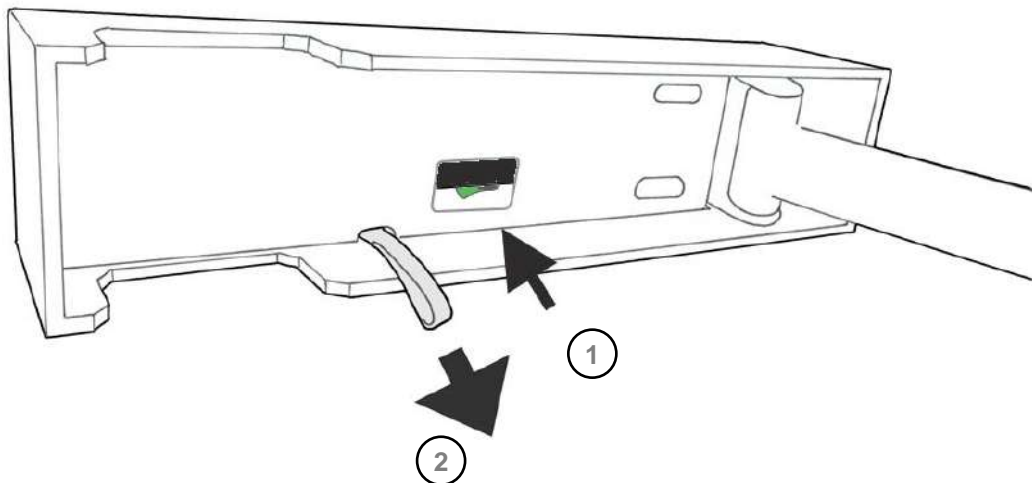


## Mechanical emergency lowering

If the electrical emergency lowering fails, the User can be lowered mechanically. Make sure the User will be lowered to a suitable location.

To start the procedures follow these two steps:

1. On the back of the top cabinet you will find a small window with a green switch (stand on a footstool). Flick the switch from green to black.
2. Pull the black string intermittent, some seconds at the time, keeping the User at a secure speed.



Alternative, if a bed with raising function is available raise the bed until the sling can be removed in a secure manner.



Warning: If you have been forced to use the mechanical emergency lowering device contact your service partner (see backside of this user manual) before further use of the lifter.

## 7. Lift and movement

### About lift and movement



- Make sure the User's weight is under max user weight for the lifter. See the front page
- For a comfortable and safe lift plan it in advance
- Move any obstacles before the lifting starts
- Make sure that wheels on wheelchair, bed etc. are locked before the lifting starts
- Ensure that all four loops of the sling are securely fastened to the lifting bar:
  - This has to be checked both before the lift strap is tensioned and before the User is lifted from the ground
- Make sure the User is sitting securely in the sling before the transfer
- The User should hang as low as possible during transfer facing the direction of the movement
- Never leave the User unattended in the sling

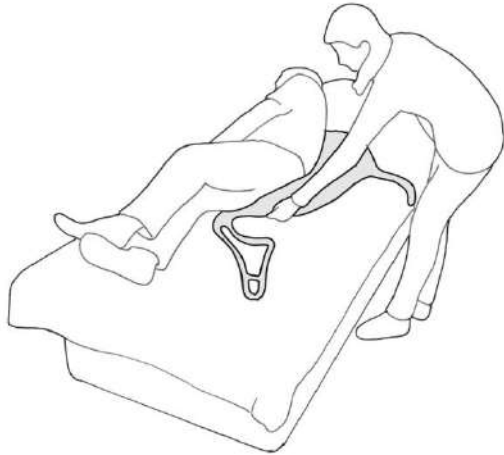
## Movement from bed to chair

1.

Open the vertical cabinet and find the proper sling for the User.

Place the sling under the User and stretch out the loops of the sling.

If the bed can be raised to a sitting position this will ease the strain for the User.



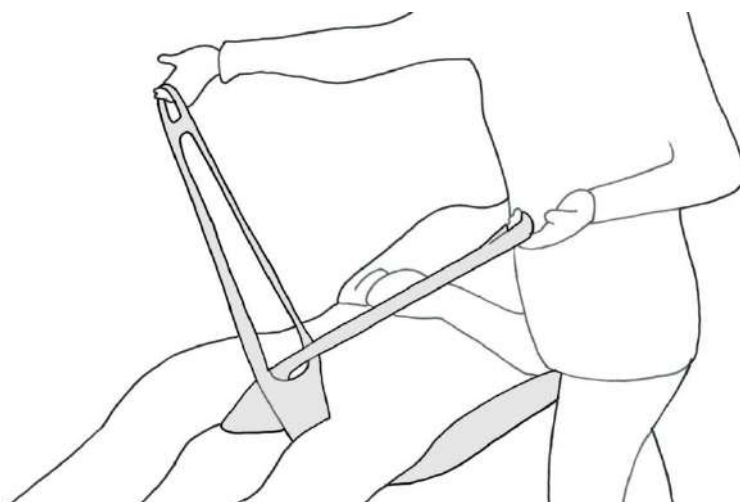
*Alternative 1: sling from the side*



*Alternative 2: sling from the back*

2.

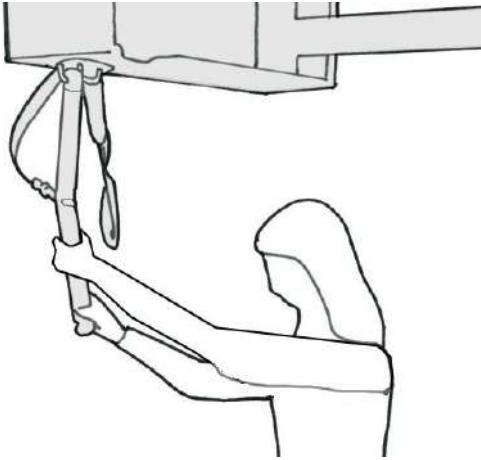
Cross the leg support- one loop through the other.



3.

Open the vertical cabinet. You'll find the Lifting bar hanging on a dedicated handle.

The lifter is positioned by pulling the Lifting bar with both hands.



Grab the Lifting bar, swing the lifter forward and orient it above the User.

Unhook the Lifting bar from the handle. Lower or raise the Lifting bar to the correct height just above the User.

Close the vertical cabinet.

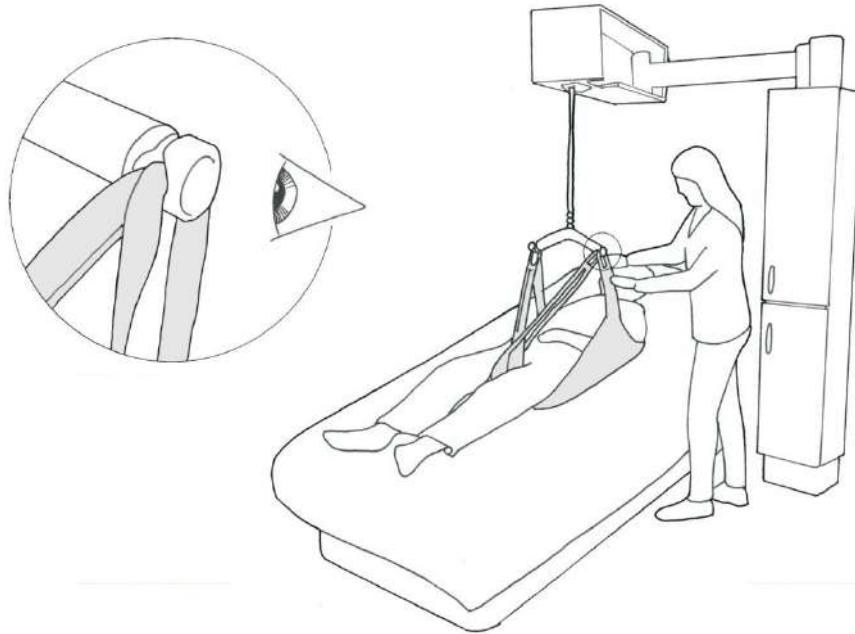


4.

Hook the sling loops to the Lifting bar.

NOTE: the Lifting bar must be oriented as shown.

Make sure the sling loops are properly fastened; pull the loops and check visually.



5.

Raise the User partially from the bed.

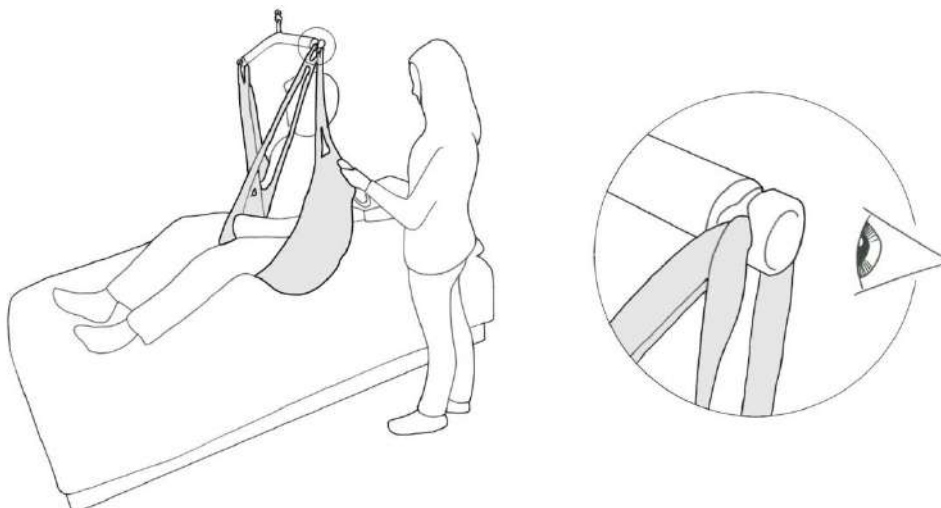


Make sure the sling loops are properly fastened when the lift strap is tightened, but before the User is off the bed.

Raise the User to the correct height for the transfer.



Warning: If the lifter should stop and start beeping, the lifter may be overburdened. Make sure that the sling does not get stuck. If the user weighs more than the safe working load abort the lift immediately!

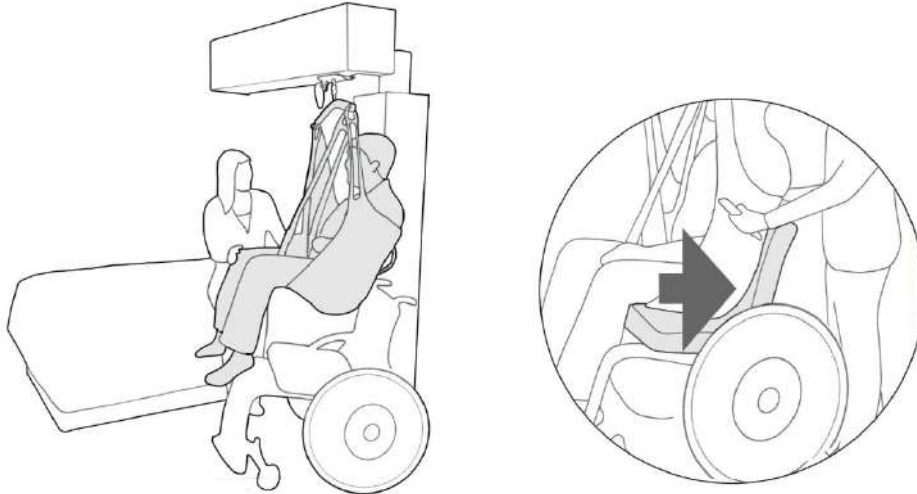


6.

Position the User over the chair, wheelchair etc. by gently moving the User.

If the chair has brakes make sure they are on.

Lower the User and make sure the User is well positioned in the chair.



7.

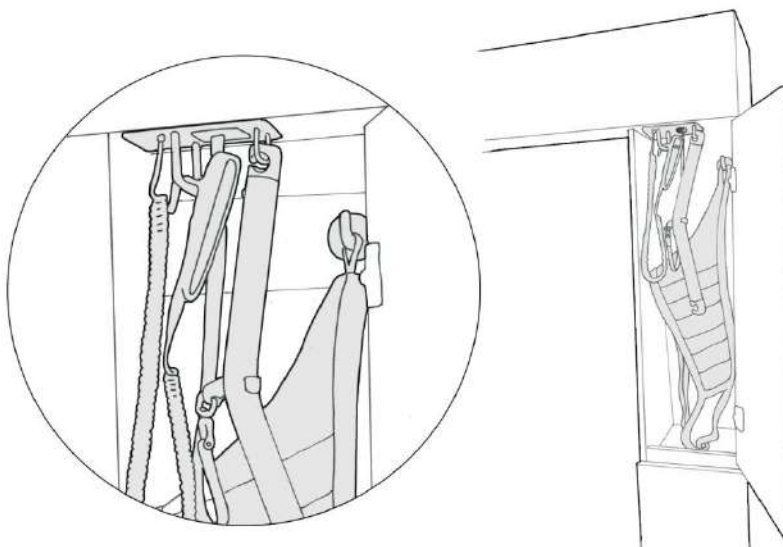
Release the sling from the Lifting bar and then from under the User.

Open the vertical cabinet and hang the sling in place.

Place the remote control on the handle closest to the red string and the Lifting bar on the other handle. Swing the lifter back in the cabinet.



**HINT: Do not raise the Lifting bar after use.** Then it will be in the correct height for the next lift.



## 8. Sling Program

Integra's own range of slings make the transfer secure and comfortable for both User and Assistant. A special attention has been given to an easy placement of the sling under the User.

To ensure the best function and comfort, Integra recommends individual testing of slings. Integra always recommends the use of the original Integra slings with Integralift.

TYPE OF SLINGS		Sizes
D0176	Integra Universal	xS,S,M,L,xL
D0175	Integra Universal w/ headrest	xS,S,M,L,xL
D0174	Integra Active (low back)	xS,S,M,L,xL
D0177	Integra Bathroom	xS,S,M,L,xL
D0173	Integra Shell	xS,S,M,L,xL
D0205	Integra Amputation	xS,S,M,L,xL

SIZES	User weight	Max load	Colour code
xS	15-30 kg	230 kg	Yellow
S	25-50 kg	230 kg	Orange
M	45-90 kg	230 kg	Red
L	75-150 kg	230 kg	Green
xL	140-230 kg	230 kg	Violet

### WASHING SLINGS

The slings can be washed at 80°C

With autoclave: 85°C

### MAINTENANCE SLINGS

- Inspect the slings regularly and always after washing.
- Check that fabric, seams and loops are not worn.
- Use only undamaged and unworn slings.
- Worn and damaged slings shall be destroyed and recycled.

## 9. Maintenance

### Cleaning

Clean the outer surfaces occasionally with a cloth and warm water, soapy water or disinfectant. Don't use any detergents with phenol or chlorine.

### Monthly maintenance

- Check that the user manual is at hand in the cabinet
- Check the lifter and make sure there are no damage
- Check the lift strap for wear
- Check the Lifting bar for damage
- Run the lift up and down to see that it operates normally and without any unusual noise
- Check that all brackets are intact and that the wall, ceiling and floor where the lift is mounted are undamaged
- Check that the lifter can be moved to its extremes.
- Make sure that the remote control works
- Make sure the electrical emergency lowering is working
- Check emergency stop by pulling it out and try to run the lifter up and down
- Check that the battery charger with outlet are intact
- Check that the lift is marked with a maximum user weight

Contact your service partner if anything does not work properly.

### Annual control

The lifter must be controlled by authorized personnel at least once a year according to the service manual. Any repairs must be done by authorized personnel using original spare parts. The owner of the product must make sure that the annual inspection is carried out. Contact your supplier or service partner for a service agreement.

### Warranty

Integralift has 2 years warranty. Warranty information is obtained from the supplier.



## Shipping, Transport and storage

During shipping, transport and storage we recommend to use the original packaging. Store Integralift above 10°C and at a relative humidity of 30% to 93 %.

## Recycling

All parts made of steel are recycled as steel or as mixed metals. Screws and connections are recycled as mixed metals. National regulations must be followed.

## 10. Technical Data

Warranty	2 years
Lifecycle	10 years with service agreement (10.000 lifting cycles)
Maximum load	230 kg
Battery	24 V DC, 4,5 Ah, sealed lead battery, 40 lifting cycles
Battery charger	100-240 VAC, 50-60 Hz, max 1.300 mA
Lifting speed	50-70 mm/sec.
Lifting interval strap	1,8 m (vertically adjustable)
Diameter of action	3 m
Radius of action	1,5 m
Soft start and soft stop	
Emergency stop	Electrical
Emergency lowering	Electrical and mechanical
Operating forces hand Control	4,5 N
Sound level	69 dB
Weight	95 kg Int. op
Protection class	IP 20
Intermittent operation	Int. op 20/80, active operation max 1 min at SWL

Integralift is quality certified in accordance with:

- ISO 10535:2006(E)
- IEC 60601-1 Ed. 3.0 b:2005
- IEC 60601-1-2 Ed. 3.0 b:2007



Product for indoor use



Type B, in accordance with the electrical shock protection class

Class I equipment in accordance with MDD 93/42/EEC

- Temperature: -10 grd C og+40grd C
- Relative humidity 10% til 93%
- Lightning level /ambient luminance minimum 300 lux

## 11. Simple Troubleshooting

### Symptom

### Possible action

The lift strap is clearly worn

Get the lift strap replaced immediately by contacting your service partner, see the last page for phone number

The lifter does not work

1. Check that the remote control is correctly connected
2. Check that the emergency stop is correctly connected
3. Pull the emergency stop out and plug it in again to reset the lifter
4. Check that the battery charger is connected to an electric socket
5. Try electrical emergency lowering
6. Make sure that the switch for the mechanical emergency lowering is switched to green, (see emergency lowering procedure)
7. If the lifter still doesn't work, contact your service partner See the last page for phone number

The lifter runs up, but not down

1. Pull the lifting bar down while lowering (some tension on the strap is needed for lowering)
2. Check that the remote control is correctly connected
3. Use the electrical emergency lowering to lower the User
4. Contact your service partner, see last page

Beeps continuously

Voltage on batteries too low.

1. Check that charger is plugged in
2. Observe that charger changes color when lifting and lowering with load
3. Contact your service partner, see last page

The lifter beeps when raising the User

1. Control that max user-weight is not exceeded
2. Pull the emergency stop out and plug it in again to reset the lifter
3. Make sure that the sling is not stuck

The lifter makes unusual sounds

1. Contact your service partner. See last page

EMC interference

1. If experiencing interference with other products consult the dealer or an experienced radio/TV technician for help





Dealer:

Producer:

Integra Care Products AS  
Darres gate 22, 0175 Oslo-NO

Phone: +47 21 98 26 84

E-mail: [info@integralift.net](mailto:info@integralift.net)

[www.integralift.net](http://www.integralift.net)