



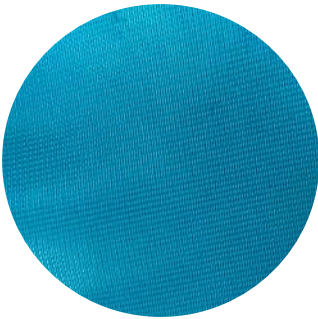
SLINGS



MATERIALS

Fabric Construction

CHS Healthcare slings materials are carefully chosen, sourced and tested to ensure that the patients comfort and safety needs are met.



Fabric

Standard Colour: Picton Blue

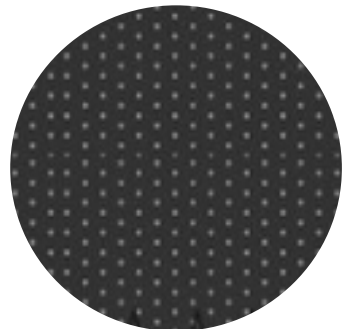


Polyester is a strong and durable fabric. It produces a solid hard-wearing sling. Can be used for bathing but may retain water. 100% Polyester.

Silvalea Parasilk

Standard Colour: Navy Blue

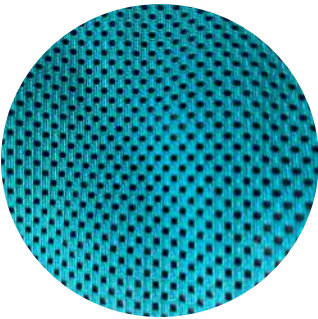
Silvalea Parasilk is a highly breathable silk fabric. The low friction (slippery) nature of the fabric can help to reduce skin shear and allows the sling to be fitted and removed more easily. This fabric has a 2 way stretch that moulds to the patient making it suitable for moulded back units.



MATERIALS

Fabric Construction

CHS Healthcare slings materials are carefully chosen, sourced and tested to ensure that the patients comfort and safety needs are met.



Mesh

Standard Colour: Picton Blue



Mesh is a strong and durable fabric. Generally used for bathing and hygiene slings. The open weave allows water to drain through the fabric and dry more quickly. 100% Polyester.

Silvalea Superfine PLUS

Standard Colour: Black

Silva-Superfine® PLUS fabric is a 3D compression spacer fabric. Helps to redistribute weight and reduce pressure build-up. This fabric has a 2 way stretch that moulds to the patient. This fabric is suitable for bathing. Avoid Velcro. 100% Polyester. Recommend good quality liquid non-biological detergent.



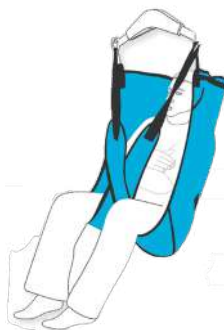
OUR SLING RANGE

(A)



General Purpose Sling

(B)



General Purpose Sling with Head Support

(C)



Care Toileting Sling

(D)



Care Toileting Sling with Head Support

(E)



Junior Sling

(F)



Amputee Sling

(G)



Hammock Sling

(H)



Walking Sling

(I)



Pivot Sling

Customisation of Slings is Available

OUR SLING RANGE

(J)



Pivot Care Sling

(K)



Standing Transfer Sling

(L)



Disposable Sling

(M)



Silvalea Parasilk Sling

(N)

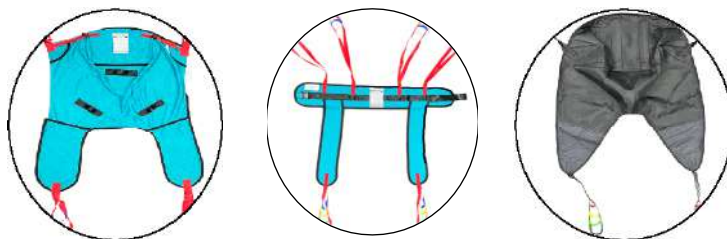


In-Situ Superfine Plus Sling

if you'd like to know more about customisation
please call us on 1300 380 189 or email sales@chshealthcare.com.au

CHOOSING THE RIGHT SLING

For Hoist Slings making the right choice requires a number of considerations;



The task & the physical characteristics of the user

- A general-purpose sling is good for general transfers – chair to chair or bed to chair or even floor lifts.
- If the user has poor head control a sling with head support should be considered.
- A hygiene sling is good for toileting, dressing or undressing the user. It has less material and therefore less support so the user must have appropriate trunk control to use the sling safely.
- A standing sling is used in conjunction with a standing lifter. The user must be able to weight bare, they must have appropriate upper body strength, and they must be able to follow instructions.
- There are also slings available for those with increased needs. Eg

Different attachment methods for slings

- Some hoists have keyhole attachments, and some have loop.

Choosing the correct size sling

- Choosing the right size is important to ensure user comfort and safety.

Different fabric options

- Is skin sensitivity an issue?

Different transfer requirements

- Eg transferring in wet areas (pools, spas, baths)

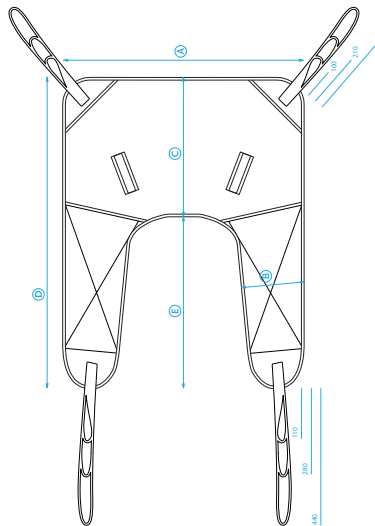
A. GENERAL PURPOSE SLING

Available in eight sizes in a choice of fabric and mesh. The sling provides easy fitting and good support for patients with some upper body control.

Recommended for general lifting. For use with standard yoke and four point yoke.

Colour: Picton Blue

| | 2XS | XS | S | M | L | XL | 2XL | 3XL |
|---------------------|----------|---------|--------|--------|--------|---------|----------|-----------|
| A (mm) | 660 | 760 | 860 | 960 | 1080 | 1200 | 1320 | 1440 |
| B (mm) | 170 | 190 | 210 | 230 | 245 | 250 | 250 | 250 |
| C (mm) | 305 | 385 | 465 | 545 | 645 | 705 | 735 | 735 |
| D (mm) | 1085 | 1270 | 1440 | 1595 | 1735 | 1860 | 1935 | 1965 |
| E (mm) | 505 | 585 | 650 | 700 | 740 | 780 | 810 | 840 |
| SWL (Kg) | 300 | 300 | 300 | 300 | 300 | 300 | 300 | 300 |
| PRODUCT CODE FABRIC | CGP01XXS | CGP01XS | CGP01S | CGP01M | CGP01L | CGP01XL | CGP01XXL | CGP01XXXL |
| PRODUCT CODE MESH | CGP02XXS | CGP02XS | CGP02S | CGP02M | CGP02L | CGP02XL | CGP02XXL | CGP02XXXL |



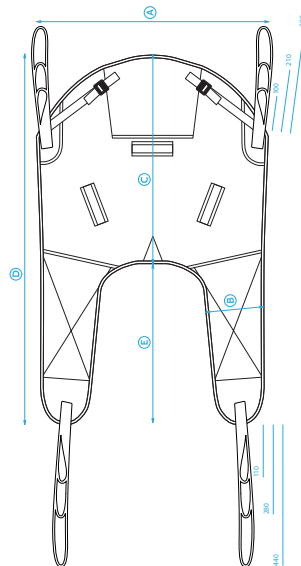
B. GENERAL PURPOSE HEAD SUPPORT SLING

Available in eight sizes in a choice of fabric and mesh. The sling provides excellent upper body and head support.

Recommended when lifting from a lying position or general lifting of a less secure patient. Very easy to fit and the leg parts are firmly padded for comfort.

**For use with standard yoke and four point yoke.
Colour: Picton Blue**

| | 2XS | XS | S | M | L | XL | 2XL | 3XL |
|---------------------|------------|-----------|----------|----------|----------|-----------|------------|-------------|
| A (mm) | 695 | 795 | 895 | 995 | 1120 | 1240 | 1360 | 1480 |
| B (mm) | 170 | 190 | 210 | 230 | 245 | 250 | 250 | 250 |
| C (mm) | 580 | 685 | 790 | 895 | 995 | 1080 | 1125 | 1125 |
| D (mm) | 1085 | 1270 | 1440 | 1595 | 1735 | 1860 | 1935 | 1965 |
| E (mm) | 505 | 585 | 650 | 700 | 740 | 780 | 810 | 840 |
| SWL (Kg) | 300 | 300 | 300 | 300 | 300 | 300 | 300 | 300 |
| PRODUCT CODE FABRIC | CGPHS01XXS | CGPHS01XS | CGPHS01S | CGPHS01M | CGPHS01L | CGPHS01XL | CGPHS01XXL | CGPHS01XXXL |
| PRODUCT CODE MESH | CGPHS02XXS | CGPHS02XS | CGPHS02S | CGPHS02M | CGPHS02L | CGPHS02XL | CGPHS02XXL | CGPHS02XXXL |



c. SUPREME CARE TOILETING SLING

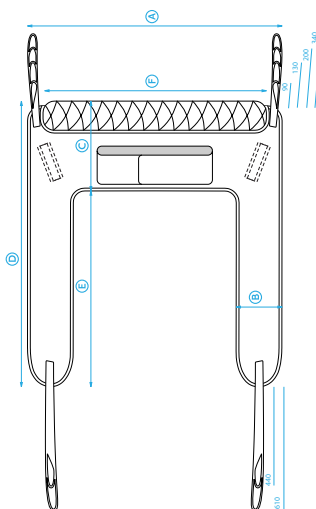
Available in eight sizes in fabric only. The Care Sling is designed for toilet transfers and bathing. It includes a velcro safety belt which ensures the patient is securely restrained.

*Optional buckle available instead of velcro

Recommended for toilet transfers and bathing.
For use with standard yoke and four point yoke.

Colour: Picton Blue

| | 2XS | XS | S | M | L | XL | 2XL | 3XL |
|------------------------|----------|---------|--------|--------|--------|---------|----------|-----------|
| A (mm) | 570 | 670 | 770 | 870 | 990 | 1110 | 1230 | 1350 |
| B (mm) | 110 | 120 | 130 | 140 | 150 | 160 | 170 | 180 |
| C (mm) | 180 | 220 | 260 | 300 | 350 | 390 | 420 | 435 |
| D (mm) | 500 | 560 | 620 | 680 | 780 | 830 | 850 | 850 |
| E (mm) | 505 | 585 | 650 | 700 | 740 | 780 | 810 | 840 |
| F (mm) | 480 | 580 | 680 | 780 | 900 | 1020 | 1140 | 1260 |
| SWL (Kg) | 300 | 300 | 300 | 300 | 300 | 300 | 300 | 300 |
| PRODUCT CODE VELCRO | CC01XXS | CC01XS | CC01S | CC01M | CC01L | CC01XL | CC01XXL | CC01XXXL |
| PRODUCT CODE BUCKLE | CC01XXSB | CC01XSB | CC01SB | CC01MB | CC01LB | CC01XLB | CC01XXLB | CC01XXXLB |



D. CARE TOILETING HEAD SUPPORT SLING

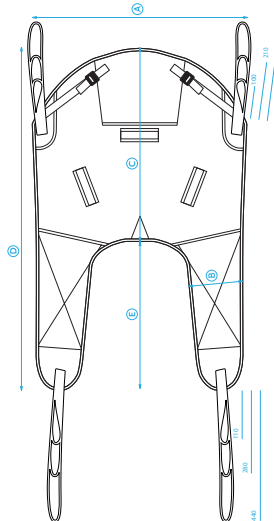
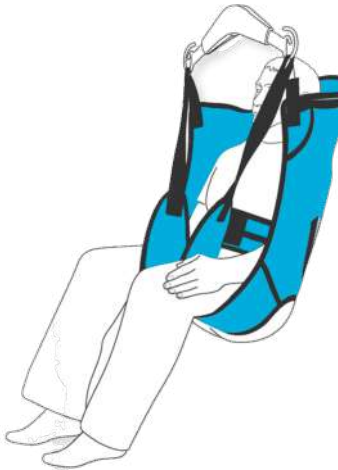
Available in eight sizes in a choice of fabric and mesh. Provides easy access to remove clothing for toilet transfers.

Recommended for toilet transfers and bathing where head support is required.

For use with standard yoke and four point yoke.

Colour: Picton Blue

| | 2XS | XS | S | M | L | XL | 2XL | 3XL |
|---------------------|-----------|----------|---------|---------|---------|----------|-----------|------------|
| A (mm) | 700 | 800 | 900 | 1000 | 1120 | 1240 | 1360 | 1480 |
| B (mm) | 185 | 195 | 205 | 215 | 225 | 235 | 245 | 255 |
| C (mm) | 415 | 500 | 585 | 670 | 740 | 810 | 850 | 850 |
| D (mm) | 855 | 1020 | 1185 | 1350 | 1520 | 1650 | 1720 | 1720 |
| E (mm) | 440 | 520 | 600 | 680 | 780 | 840 | 870 | 870 |
| SWL (Kg) | 300 | 300 | 300 | 300 | 300 | 300 | 300 | 300 |
| PRODUCT CODE FABRIC | CCHS01XXS | CCHS01XS | CCHS01S | CCHS01M | CCHS01L | CCHS01XL | CCHS01XXL | CCHS01XXXL |
| PRODUCT CODE MESH | CCHS02XXS | CCHS02XS | CCHS02S | CCHS02M | CCHS02L | CCHS02XL | CCHS02XXL | CCHS02XXXL |



300kg

E. JUNIOR SLING

Available in three sizes in mesh only. The Junior Sling is specially designed for children and small adults. It includes adjustable support for the head and neck.

For use with standard yoke and four point yoke.

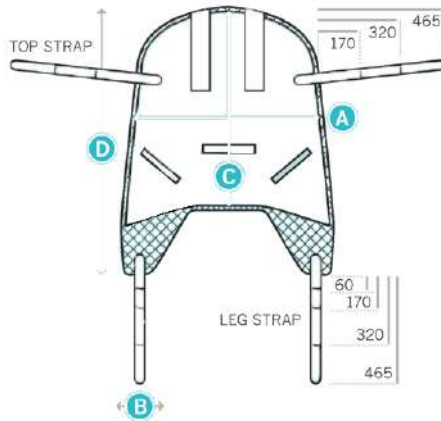
Recommended for children and small adults.

Colour: Picton Blue

| | XS | S | M |
|----------|-------|------|------|
| A (mm) | 590 | 710 | 760 |
| B (mm) | 110 | 120 | 120 |
| C (mm) | 710 | 920 | 930 |
| D (mm) | 1050 | 1240 | 1380 |
| SWL (Kg) | 300 | 300 | 300 |
| MESH | J02XS | J02S | J02M |



YOKE ATTACHMENT (SPREADER BAR)



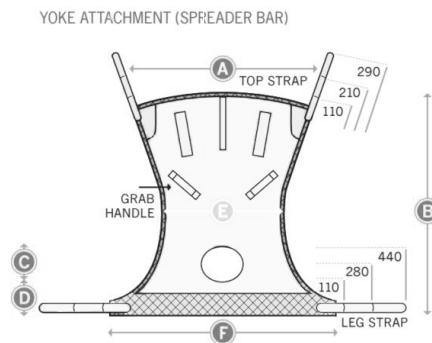
F. AMPUTEE SLING

The Amputee Sling is specially designed for single and double lower limb amputee patients, including a commode hole and full head support. The patient is easily rolled on and off the sling for lifting. The sling provides great security and support when lifting from the floor or bed. It comes in two sizes and is available in fabric or mesh.

For use with standard yoke and four point yoke.

Colour: Picton Blue

| | M | L |
|---------------------|------|------|
| A (mm) | 860 | 1050 |
| B (mm) | 1160 | 1390 |
| C (mm) | 190 | 220 |
| D (mm) | 210 | 190 |
| E (mm) | 650 | 740 |
| F (mm) | 1030 | 1120 |
| PRODUCT CODE FABRIC | A01M | A01L |
| PRODUCT CODE MESH | A02M | A02L |
| SWL (Kg) | 300 | 300 |



G. HAMMOCK SLING

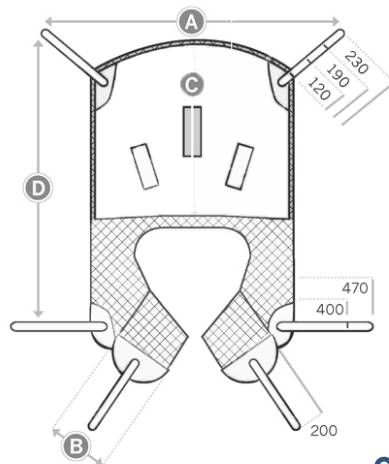
The Hammock Sling is available in three sizes in fabric only. The sling incorporates a head support and a unique strap system that keeps the patient secure, which helps to reduce friction and allows for easy placement and removal around a person in a sitting, semi-reclined or fully reclined position, without having to lift manually. Recommended for general lifting including bathing.

**Recommended for general lifting including bathing.
For use with standard yoke and four point yoke.**

Colour: Picton Blue

| | S | M | L |
|---------------------|-------|-------|-------|
| A (mm) | 690 | 890 | 1230 |
| B (mm) | 710 | 930 | 850 |
| C (mm) | 1010 | 1170 | 310 |
| PRODUCT CODE FABRIC | DL01S | DL01M | DL01L |
| PRODUCT CODE MESH | DL02S | DL02M | DL02L |
| SWL (Kg) | 300 | 300 | 300 |

YOKE ATTACHMENT (SPREADER BAR)



H. WALKING SLING

Available in three sizes in fabric only. Designed to assist people with limited ability to walk, this sling helps support and assist during rehabilitation. The user must have some weight bearing ability. The sling is comfortable and simple to use and is fully padded with a security buckle.

Recommended for people with limited ability to walk.

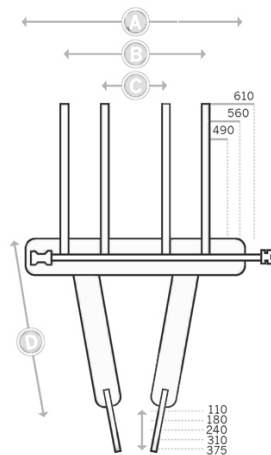
For use with standard yoke and four point yoke.

Colour: Picton Blue

| | S | M | L |
|---------------------|------|------|------|
| A (mm) | 880 | 1060 | 1230 |
| B (mm) | 500 | 660 | 850 |
| C (mm) | 240 | 300 | 310 |
| D (mm) | 690 | 840 | 1050 |
| PRODUCT CODE FABRIC | WOIS | WOIM | WOIL |
| SWL (Kg) | 300 | 300 | 300 |



YOKE ATTACHMENT (SPREADER BAR)



I. PIVOT SLING

Available in six sizes in a choice of fabric or mesh, the Pivot Sling allows a patient to be lifted in either a sitting or lying position. Comfortable and supportive sling with easily defined attachment points. Angle adjustable via Pivot Frame.

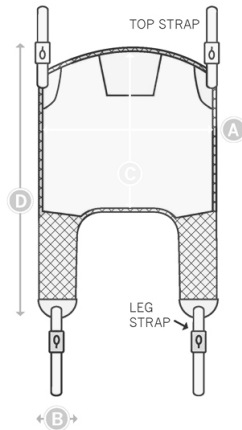
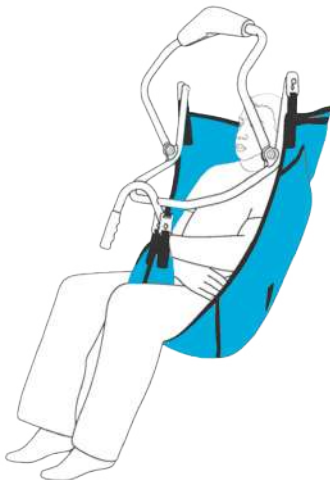
Recommended for general lifting, especially for the larger patient.

For use with clip style connections, not loops.

Colour: Picton Blue

| | XS | S | M | L | XL | 2XL |
|---------------------|-------|------|------|------|-------|--------|
| A (mm) | 720 | 870 | 1000 | 1000 | 1170 | 1320 |
| B (mm) | 190 | 230 | 270 | 260 | 270 | 290 |
| C (mm) | 580 | 830 | 920 | 1010 | 1090 | 1180 |
| D (mm) | 870 | 1220 | 1310 | 1410 | 1540 | 1710 |
| PRODUCT CODE FABRIC | P01XS | P01S | P01M | P01L | P01XL | P01XXL |
| PRODUCT CODE MESH | P02XS | P02S | P02M | P02L | P02XL | P02XXL |
| SWL (Kg) | 200 | 200 | 200 | 200 | 200 | 200 |

PIVOT FRAME ATTACHMENT (TILT FRAME)



J. PIVOT CARE SLING

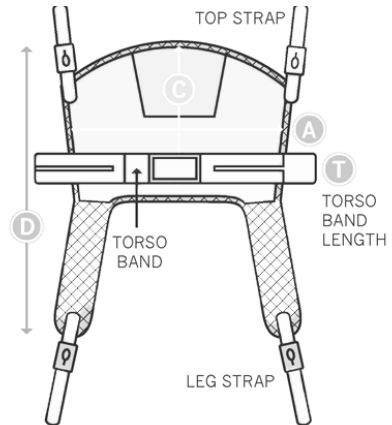
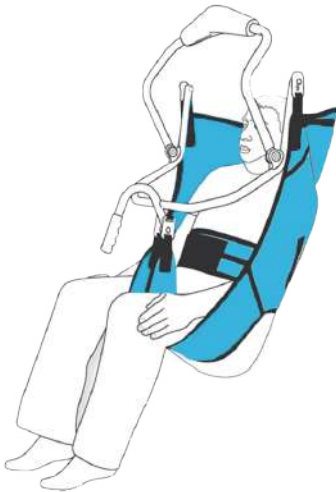
Six sizes in fabric or mesh provide a sling that allows easy removal of clothing for toilet transfers.

Recommended for general toilet transfer for less secure patients.

For use with clip style connections, not loops.

Colour: Picton Blue

| | XS | S | M | L | XL | 2XL |
|---------------------|--------|-------|-------|-------|--------|---------|
| A (mm) | 680 | 840 | 1020 | 1030 | 1220 | 1240 |
| B (mm) | 170 | 210 | 220 | 220 | 210 | 210 |
| C (mm) | 540 | 630 | 700 | 790 | 830 | 790 |
| D (mm) | 870 | 1220 | 1240 | 1360 | 1430 | 1480 |
| TORSO BAND LENGTH | 980 | 1180 | 1220 | 1320 | 1440 | 1660 |
| PRODUCT CODE FABRIC | PC01XS | PC01S | PC01M | PC01L | PC01XL | PC01XXL |
| PRODUCT CODE MESH | PC02XS | PC02S | PC02M | PC02L | PC02XL | PC02XXL |
| SWL (Kg) | 200 | 200 | 200 | 200 | 200 | 200 |



K. STANDING TRANSFER SLING

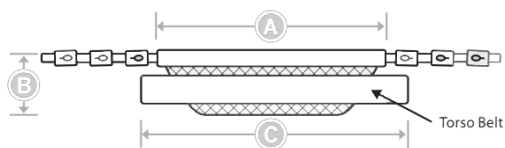
Available in three sizes in fabric only, the sling provides easy removal of clothing for toilet transfers

Recommended for use with standing hoists for weight-bearing patients only and is available with keyhole and loop type attachments.

| | | M | L | XL | |
|------------------------|-------------------------|-------------|--------|---------|---------|
| KEY HOLE ATTACHMENT | A (mm) | 880 | 1060 | 1220 | |
| | B (mm) | 290 | 370 | 410 | |
| | C BUCKLE BELT(mm) | 960 | 1020 | 1220 | |
| | C VELCRO BELT(mm) | 1180 | 1320 | 1440 | |
| | BUCKLE BELT | STK03M | STK03L | STK03XL | |
| | VELCRO BELT | STK04M | STK04L | STK04XL | |
| | LOOP TYPE ATTACHMENT | BUCKLE BELT | STL03M | STL03L | STL03XL |
| | VELCRO BELT | STL04M | STL04L | STL04XL | |
| SWL (Kg) | | 200 | 200 | 200 | |



YOKE ATTACHMENT (SPREADER BAR)



L. DISPOSABLE SLING

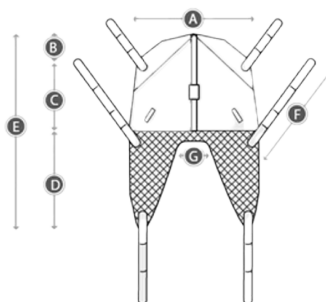
With infection control becoming an area of greater focus and attention, Disposable Slings are designed to be used by one individual and disposed of when; a) the patient/resident no longer requires it or b) the sling is soiled.

The Disposable Slings are based on the design, safety, comfort and application of the Deluxe Universal Sling pattern. All disposable slings are rated to 272kg. Label indicates when the sling is in need of disposal. Typical safe use ranges from 1-3 months (dependant upon frequency of use).

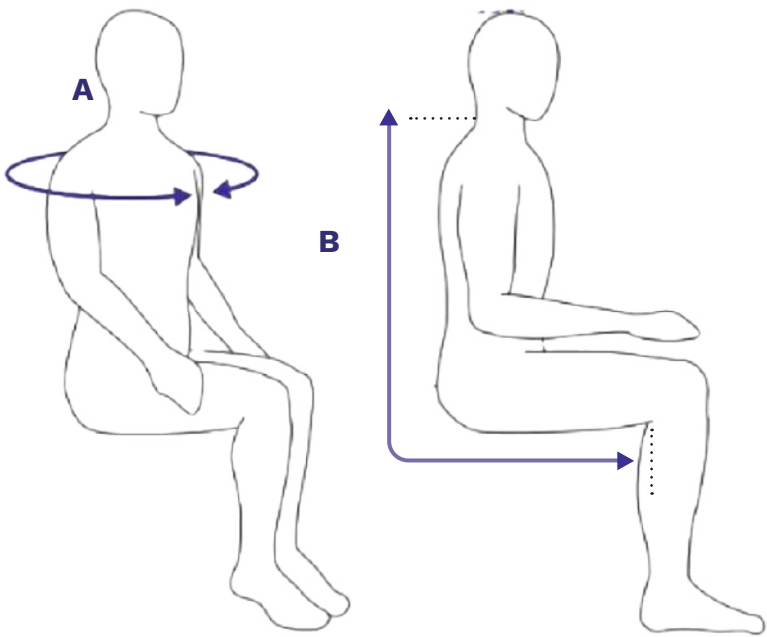
For use with standard yoke and four point yoke.

Colour: White

| | S | M | L | XL |
|-------------------|--------|--------|--------|--------|
| A (mm) | 940 | 1065 | 1195 | 1320 |
| B (mm) | 355 | 355 | 355 | 355 |
| C (mm) | 585 | 650 | 710 | 775 |
| D (mm) | 595 | 675 | 815 | 950 |
| E (mm) | 1535 | 1675 | 1880 | 2085 |
| F (mm) | 470 | 470 | 470 | 470 |
| G (mm) | 200 | 255 | 305 | 355 |
| H (mm) | 255 | 255 | 255 | 255 |
| PRODUCT CODE-10pk | 547050 | 547060 | 547070 | 547080 |
| SWL (Kg) | 272 | 272 | 272 | 272 |



SILVALEA MEASUREMENT INSTRUCTIONS



M. SILVALEA PARASILK SLING

Available in sizes XS - XL this full body supportive sling is used for general transfers. Made from fine, soft parasilk fabric this sling slides smoothly under the patient and prevents pressure areas.

A very thin material incorporating Coolmax fabric that is designed to move moisture away from the body and enhance fabric drying rate thus keeping the user feeling cool and dry. It has a slip resistant panel on the back.

Load capacity 165kg

Recommended for patients with sensitive skin conditions.
Colour: Navy Blue

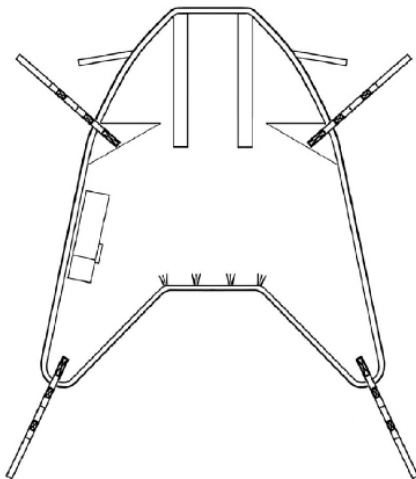


FEATURES

- In Situ Full Body Patient Transfer Sling with divided leg
- Adjustable integral head support with removable stiffeners
- Easy to apply with low friction fabric to leg areas and head support for ease of application
- Soft binding as standard



SILVALEA PARASILK SLING



NOTES:

These measurements reflect the In-situ design of the sling stated.

On some materials the darts/ tucks may not be present as shown on the drawing.

Measurements given are for guidance only. Width measurements are taken at the shoulder level.

Depending on material and weight of user a little stretch may occur as the sling moulds to the user's body shape.

***Optional grab handles available**

| | XXXS | XXS | XS | S | M | L | XL | XXL |
|--------------------------------|-------|-------|----------|---------|---------|---------|----------|-----------|
| A (cm) | 56-66 | 66-76 | 76-86 | 86-96 | 96-108 | 108-130 | 130-144 | 144-160 |
| B (cm) | 50-55 | 56-62 | 60-66 | 66-74 | 74-80 | 80-88 | 88-100 | 96-104 |
| PRODUCT CODE FABRIC | — | — | S15KXS | S15KS | S15KM | S15KL | S15KXL | S15KXXL |
| PRODUCT CODE WITH GRAB HANDLES | — | — | S15KXSGH | S15KSGH | S15KMGH | S15KLGH | S15KXLGH | S15KXXLGH |

N. IN-SITU SUPERFINE PLUS SLING

Available in sizes XS - XL this full body supportive sling is used for general transfers. Made from fine, soft parasilk fabric this sling slides smoothly under the patient and prevents pressure areas.

A fine mesh sling suitable for the larger person

Load capacity is 200kg

Recommended for patients with sensitive skin conditions.
Colour: Black

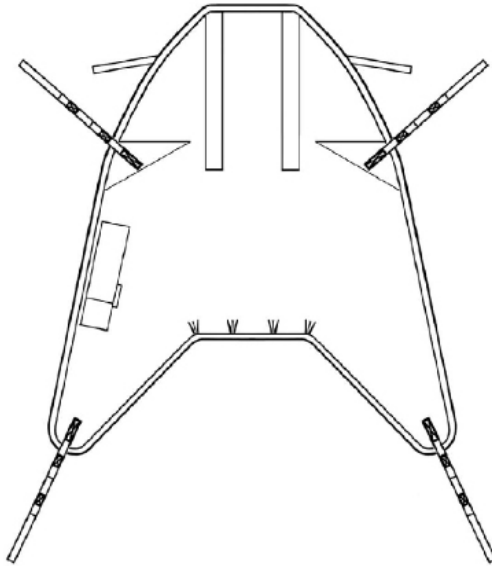


FEATURES

- In Situ Full Body Patient Transfer Sling with divided leg
- Adjustable integral head support with removable stiffeners
- Easy to apply with low friction fabric to leg areas and head support for ease of application
- Soft binding as standard



IN-SITU SUPERFINE PLUS SLING



NOTES:

These measurements reflect the In-situ design of the sling stated.

On some materials the darts/ tucks may not be present as shown on the drawing. Measurements given are for guidance only. Width measurements are taken at the shoulder level.

Depending on material and weight of user a little stretch may occur as the sling moulds to the user's body shape.

***Optional grab handles available**

| | XXXS | XXS | XS | S | M | L | XL | XXL |
|--------------------------------|-------|-------|-------------|------------|------------|------------|-------------|--------------|
| A (cm) | 56-66 | 66-76 | 76-86 | 86-96 | 96-108 | 108-130 | 130-144 | 144-160 |
| B (cm) | 50-55 | 56-62 | 60-66 | 66-74 | 74-80 | 80-88 | 88-100 | 96-104 |
| PRODUCT CODE FABRIC | — | — | S211049XS | S211049S | S211049M | S211049L | S211049XL | S211049XXL |
| PRODUCT CODE WITH GRAB HANDLES | — | — | S211049XSGH | S211049SGH | S211049MGH | S211049LGH | S211049XLGH | S211049XXLGH |

CHS Healthcare Standard & Custom Slings

- Come in a range of sizes from 2X extra small to 3X extra large.
- Cater for a range of different purposes – general purpose, head support, hygiene, amputee, in-situ, walking, junior, stand up, standing transfer and disposable to name a few.
- The full width of the leg strap including the binding stretches at the same rate. This even spread of pressure reduces skin sheer and breakdown.
- Have different attachment methods – keyhole & loop.
- Have different fabric options – cotton, mesh, polytaf, 3D spacer fabric, parasilk, superfine plus..
- Can be customized. We can customise any of the standard comfort sling range to help suit your needs better. We can modify an existing sling like adding an extra strap or loop or we can start from scratch. Once the custom sling has been made, it is then weight tested to ensure its strength.
- Velcro standard - buckle optional
- Are machine washable

Our Services

- In some circumstances site and home visits where we can inspect your site and home setting and advise on the most appropriate installation method and products to suit your individual requirements.
- In some circumstances we can assist with trialing equipment in your site or home setting to ensure it is practically suitable. In this way you can experience clearance, circulation, maneuverability, comfort and support.

In addition to slings and ceiling and standing hoists, CHS Healthcare specialises in patient lifting rail systems and bariatric solutions as well as a complete range of therapy baths, change tables, privacy screens, and much more.