

Elevand Superfine Recline Head Support Sling

Available in sizes XXS - XXL, the Elevand Superfine Recline with Head Support provides unparalleled support, comfort, and functionality for individuals who require transfers, particularly in amputee scenarios. This sling guarantees optimum stability, thereby improving the overall quality of life for users, through its practical features, adjustable head support, pommel strap, and comprehensive design.

Load Capacity 220kg

Colour: Silva Superfine Black



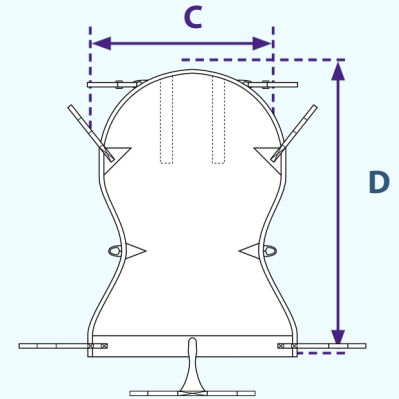
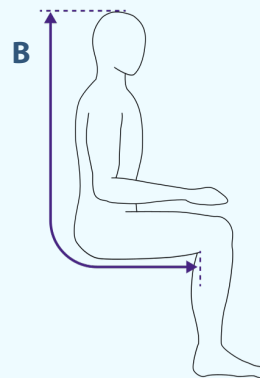
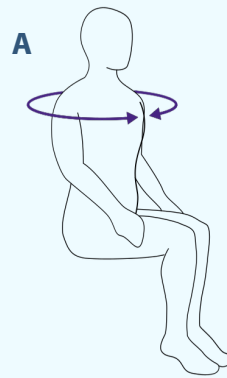
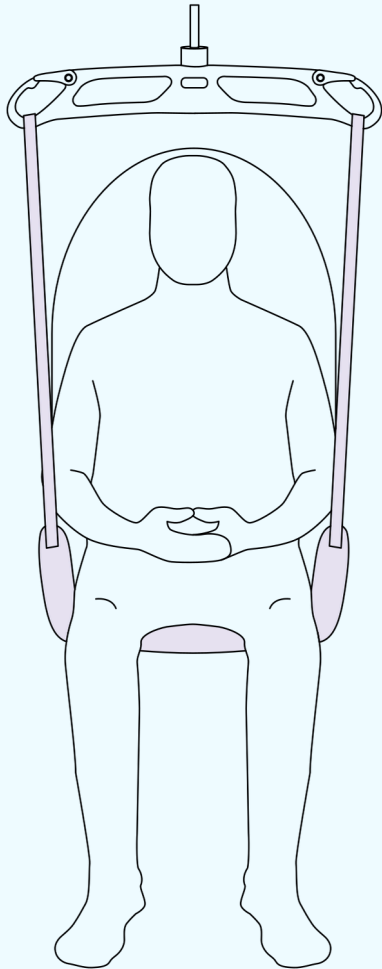
FEATURES

- Suitable for amputee scenarios
 - Adjustable integral head support with removable stiffeners
 - Designed to provide closed leg full body support on transfer
 - Pommel strap for additional comfort and safety
 - To be applied in supine position
 - Loops supplied for provision for hip tapes
 - Soft binding as standard
 - Once the patient has been transferred, this sling can be left in-situ, subject to an appropriate risk assessment
 - Fixed colour-coded loop tapes as standard
- Wash temp 71°C / 159°F
- Tumble dry low heat (max 50°C)



220kg

Elevand Superfine Recline Head Support Sling



NOTES:

These measurements reflect the In-situ design of the sling stated. On some materials the darts/ tucks may not be present as shown on the drawing. Measurements given are for guidance only. Width measurements are taken at the shoulder level. Depending on material and weight of user a little stretch may occur as the sling moulds to the user's body shape.

***Optional grab handles available**

	XXS	XS	S	M	L	XL	XXL
A (cm)	66-76	76-86	86-96	96-108	108-130	130-144	144-160
B (cm)	99-105	105-112	113-120	120-128	129-139	138-150	150-160
C (cm)	60	70	78	88	106	117	130
D (cm)	96	112	127	138	152	162	167
Product Code	F16SFPXXS	F16SFPXS	F16SFPS	F16SFPM	F16SFPL	F16SFPXL	F16SFPXXL
Product Code with Grab Handles	F16SFPXXSGH	F16SFPXSGH	F16SFPSGH	F16SFPMGH	F16SFPLGH	F16SFPXLGH	F16SFPXXLGH